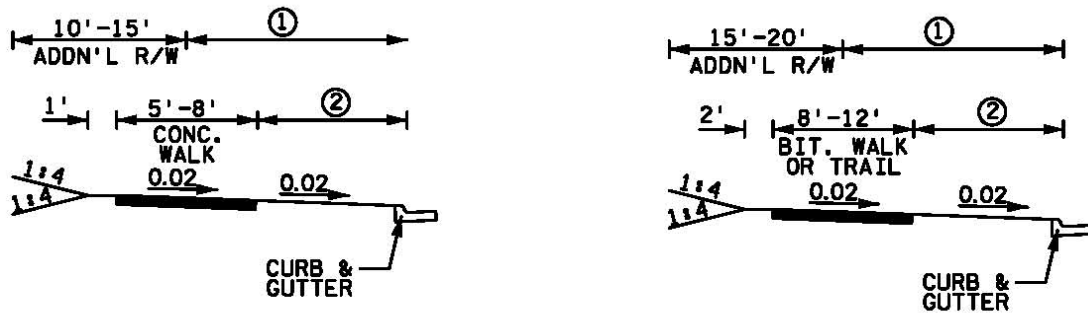
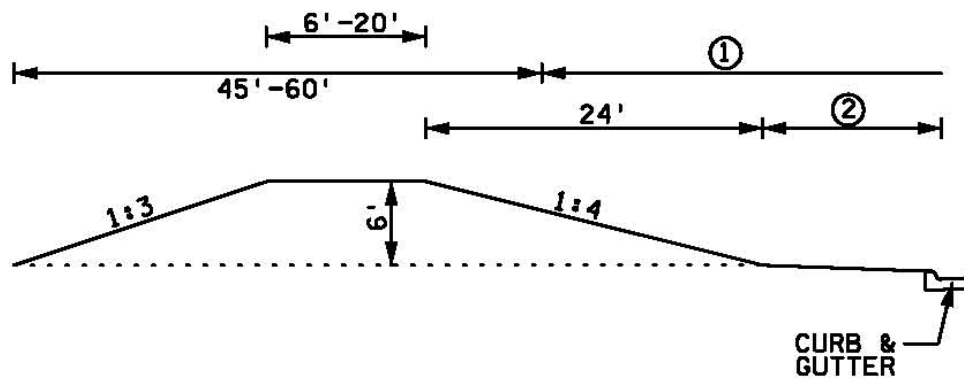


SIDEWALK & TRAIL DESIGN STANDARDS:



- ① R/W DEFINED IN FIGURES 3.4-1 & FIGURE 3.4-2
- ② BLVD WIDTH DEFINED IN FIGURES 3.4-1 & 3.4-2

EARTHEN BERM DESIGN STANDARDS:



- ① R/W DEFINED IN FIGURES 3.4-1 & FIGURE 3.4-2
- ② BLVD WIDTH DEFINED IN FIGURES 3.4-1 & 3.4-2

FIGURE 2.4-1 – SIDEWALK &
TRAIL AND EARTHEN BERM
DESIGN STANDARDS

